

Load break switch in isolating enclosure

■ **COMO** in polycarbonate enclosure



como-enc_002 - 032 - 026 - 036

General characteristics

- From 32A - 63A
- 3 & 4
- Yellow/red or grey/blue version.
- Triple lock in OFF position.
- Polycarbonate enclosure.
- Screw-on front.
- Degree of protection: IP65.
- Pre-drilled cable-in holes at top bottom and sides.
- Switch centring system for easy closing.
- Door interlocking when switch is ON.

Accessories

- Unswitched neutral pole optional extra (max. 1).
- NO+NC or 2 NO auxiliary contact for pre-break and signalling of positions 0 and I. Up to 2 auxiliary contacts on each product, on the left or right side of the device.

References

| Rating (A) | Red/yellow lever Reference | Extra pole ⁽¹⁾ (connected) | Auxiliary contacts ⁽¹⁾ | Enclosure | | |
|------------|--------------------------------------|---------------------------------------|-----------------------------------|-----------|-----------------|------------------------------|
| | | | | Size | H x W x D (mm) | Cable-in top and bottom (mm) |
| | | - | - | | | |
| 25 | 2115 3403 2115 4403 | 2115 5005 | | CPC 1 | 163 x 100 x 115 | 2 x Ø 25 |
| 32 | | | | | | |
| | 2115 3404 2115 4404 | | 1 AC NO+NC 2113 4001 | CPC 1 | 163 x 100 x 115 | 2 x Ø 25 |
| 40 | 2115 3406 | | | CPC 2 | 200 x 146 x 150 | 2 x Ø 32 + 2 x Ø 40 |
| 63 | 2115 4406 | 2115 5007 | 1 AC 2 NO 2113 4002 | | | |
| | | | | | | |
| | | | | CPC 2 | 200 x 146 x 150 | 2 x Ø 32 + 2 x Ø 40 |
| | | | | | | |

(1) Max. setup: 1 extra pole + 1 aux contact, or 2 aux contacts

Characteristics

Electrical features according to IEC 60947-3

| Thermal current I_{th} (40°C) | COMO | | |
|--|------|------|------|
| | 32 A | 40 A | 63 A |
| Enclosed thermal current I_{th} (35°C) (A) | 32 | 40 | 63 |
| Enclosed thermal current I_{th} (50°C) (A) | 28 | 35 | 54 |
| Rated insulation voltage U_i (V) | 690 | 690 | 690 |
| Rated impulse withstand voltage U_{imp} (kV) | 6 | 6 | 6 |

Rated operational currents I_e (A)

| Rated voltage | Utilisation category | 32 A | 40 A | 63 A |
|---------------|----------------------|------|------|------|
| 400 VAC | AC-22 A / AC-22 B | 32 | 40 | 63 |
| 400 VAC | AC-23 A / AC-23 B | 22 | 40 | 44 |
| 690 VAC | AC-22 A / AC-22 B | 13 | 18 | 22 |
| 690 VAC | AC-23 A / AC-23 B | 11.5 | 13 | 17.5 |

Operational power in AC-23 (kW) without pre-break auxiliary contact

| | | | |
|--|------|----|----|
| 400 VAC without pre-break AC (kW) ⁽⁵⁾ | 11.5 | 20 | 22 |
| 690 VAC without pre-break AC (kW) ⁽⁵⁾ | 13 | 18 | 22 |

gG DIN(6) fuse protected short-circuit withstand

| | | | |
|--|----|----|----|
| Prospective short-circuit current (kA rms) | 8 | 8 | 8 |
| Associated fuse rating (A) | 32 | 40 | 63 |

Circuit breaker protected short-circuit withstand with any circuit breaker that ensures tripping in less than 0.3s

| | | | |
|---|------|------|------|
| Current rated as short-time withstand low 0.3s (kA rms) | 1.28 | 1.28 | 2.52 |
|---|------|------|------|

Short-circuit operation (switch only)

| | | | |
|---|------|------|------|
| Current rated as short-time withstand low 1s (kA rms) | 0.64 | 0.64 | 1.26 |
|---|------|------|------|

Connection

| | | | |
|---|-----|-----|-----|
| Minimum Cu cable cross-section (mm ²) | 2.5 | 2.5 | 2.5 |
| Maximum Cu cable cross-section (mm ²) | 10 | 10 | 16 |

SIRCO M / SIRCO

| Thermal current I_{th} (40°C) | SIRCO M / SIRCO | |
|--|-----------------|-----------|
| | 32 A | 63 A |
| Frame size | M1 | M2 |
| Enclosed thermal current I_{th} (35°C) (A) | 32 | 63 |
| Enclosed thermal current I_{th} (50°C) (A) | 28 | 54 |
| Rated insulation voltage U_i (V) | 800 | 800 |
| Rated impulse withstand voltage U_{imp} (kV) | 8 | 8 |

Rated operational currents I_e (A)

| Rated voltage | Utilisation category | 32 A | 63 A |
|---------------|----------------------|------|-------|
| 415 VAC | AC-22 A / AC-22 B | 32 | 63 |
| 415 VAC | AC-23 A / AC-23 B | 32 | 63 |
| 500 VAC | AC-22 A / AC-22 B | 32 | 63 |
| 500 VAC | AC-23 A / AC-23 B | 25 | 63 |
| 690 VAC | AC-22 A / AC-22 B | 32 | 40/63 |
| 690 VAC | AC-23 A / AC-23 B | 25 | 40 |

Operational power in AC-23 (kW)

| | | |
|--|----|----|
| 400 VAC without pre-break AC (kW) ⁽⁵⁾ | 15 | 30 |
| 500 VAC without pre-break AC (kW) ⁽⁵⁾ | 15 | 30 |
| 690 VAC without pre-break AC (kW) ⁽⁵⁾ | 15 | 30 |

gG DIN(6) fuse protected short-circuit withstand

| | | |
|--|----|----|
| Prospective short-circuit current (kA rms) | 50 | 50 |
| Associated fuse rating (A) | 32 | 63 |

Circuit breaker protected short-circuit withstand with any circuit breaker that ensures tripping in less than 0.3s

| | | |
|---|-----|---|
| Current rated as short-time withstand low 0.3s (kA rms) | 2.5 | 3 |
|---|-----|---|

Short-circuit operation (switch only)

| | | |
|---|------|-----|
| Current rated as short-time withstand low 1s (kA rms) | 1.26 | 1.5 |
| Dynamic withstand current in I_{cc} (kA peak) (6) | 6 | 9 |

Connection

| | | | |
|---|-----|-----|-----|
| Minimum Cu cable cross-section (mm ²) | 1.5 | 1.5 | 2.5 |
| Maximum Cu cable cross-section (mm ²) | 16 | 16 | 35 |

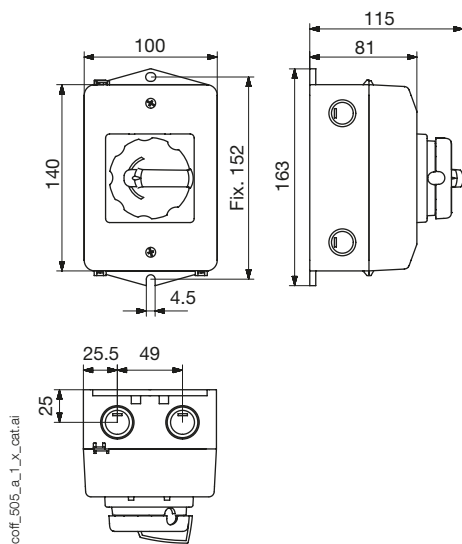
Enclosed switches

Load break switches

32A - 63A

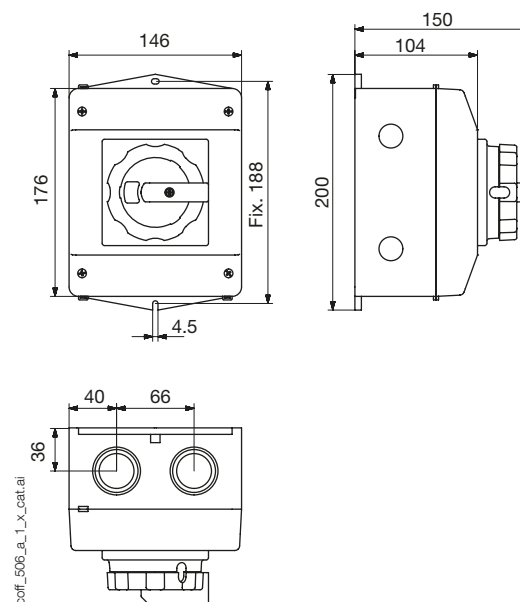
Dimensions

Size CPC 1



- 4x M20 pre-drilled holes (on the side)
- 4x M25 pre-drilled holes (top and bottom)
- 4 pre-drilled holes to expel water

Size CPC 2



- 4x M20 pre-drilled holes (on the side)
- 4 M32/M40 pre-drilled holes (top and bottom)
- 2 pre-drilled holes to expel water